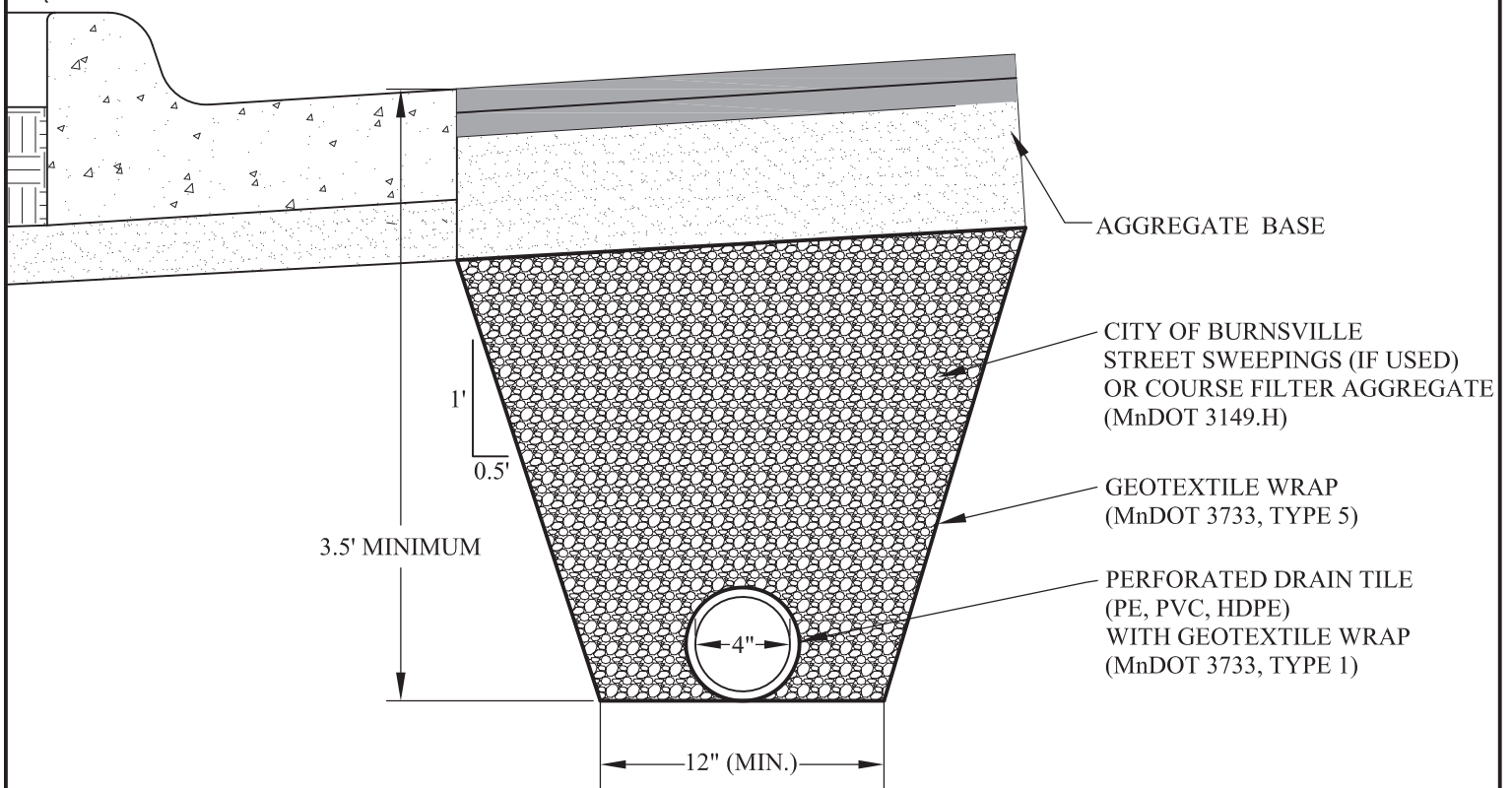


NOTES

1. SLICE 4" SLITS IN FABRIC AS DIRECTED BY THE ENGINEER PRIOR TO BACKFILLING PIPE.
2. HOLES FOR DRAIN TILE IN STORM STRUCTURE WILL BE PRECAST OR CORE DRILLED.
3. SEE MnDOT 2502 FOR MATERIAL REFERENCES.



CITY OF BURNSVILLE - ENGINEERING DEPT.

**PERFORATED DRAIN TILE  
(IN STREET)**

Plate No.	STM - 15
Revision Date	02/2015
File Location: S:\Details\english\Storm Sewer\STM15-Street Drain Tile in street.dwg	